

# ArcSource Outdoor 12 RGB™



The Anolis ArcSource Outdoor combines state of the art LED technology. With its high IP rating allows the units to operate completely submerged in water, making illumination of water features a possibility.

## TECHNICAL SPECIFICATIONS:

Power Supply Required: See Below Listing  
 Max Power Consumption: 13.6W  
 Available Beam Angles: See Pg 4  
 Impact Rating: IK 06  
 Ingress Protection Rating: IP68  
 Light Source: High Power LED's  
 LED Life Expectancy: Min 50000 Hrs  
 Typical Lumen Maintenance: 70% @ 50000 hrs

Construction: Stainless Steel (316)  
 Fixing Method: Stirrup  
 Product Weight: 1.7kg  
 Operating Ambient Temp Range: -20°C/+30°C  
 Operating Temp: +65°C @ Ambient +40°C  
 LED Colour Variants: See Pg 4  
 Cooling System: Convection  
 Cable Type: Belden 7930A

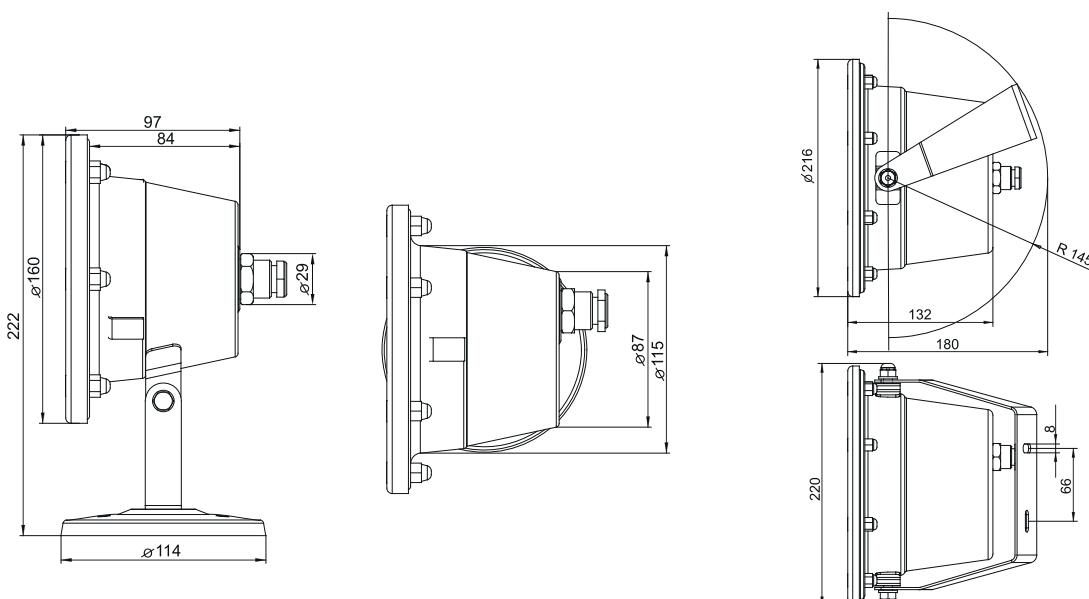
For further information regarding optical systems please visit the website: [www.anolis.eu](http://www.anolis.eu)

## Accessories:

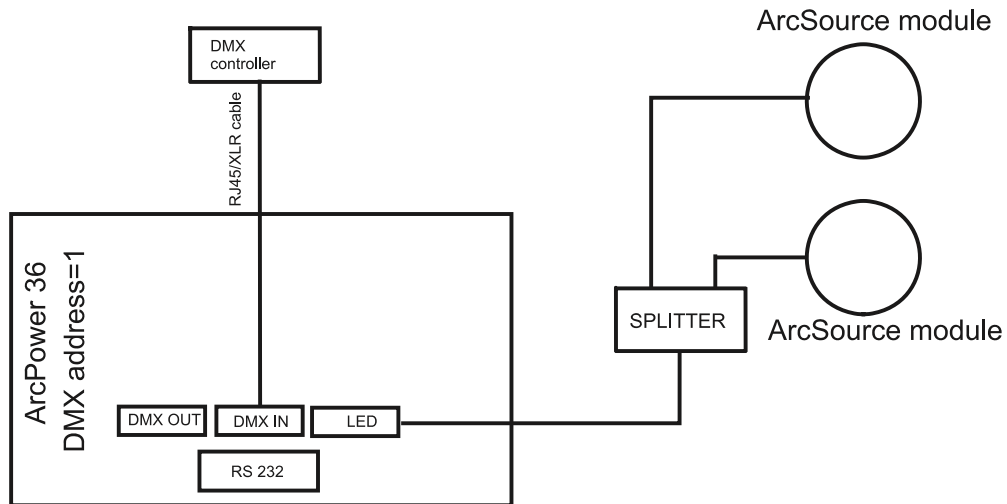
## Compatible Drivers:

ArcPower 36, 72, 144, 360, RM 384

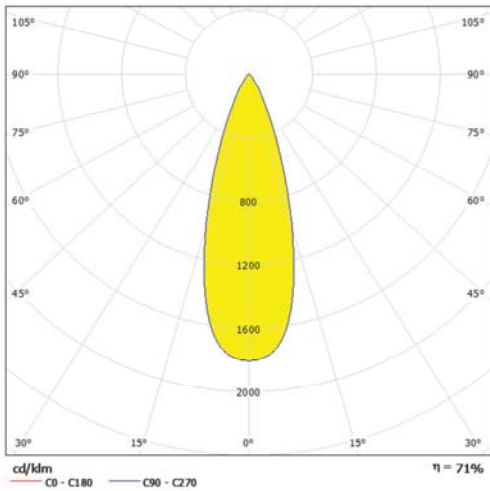
## DIMENSIONAL DRAWINGS:



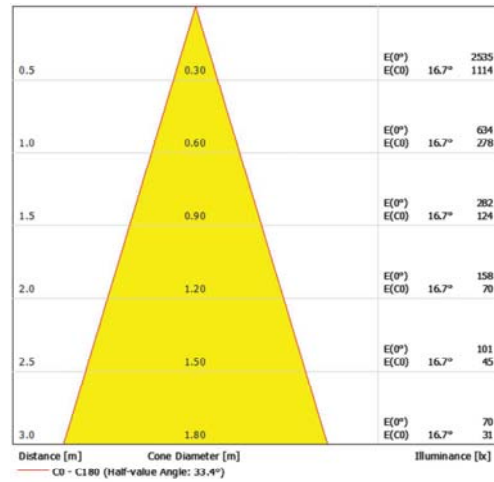
CONNECTION SCHEME:



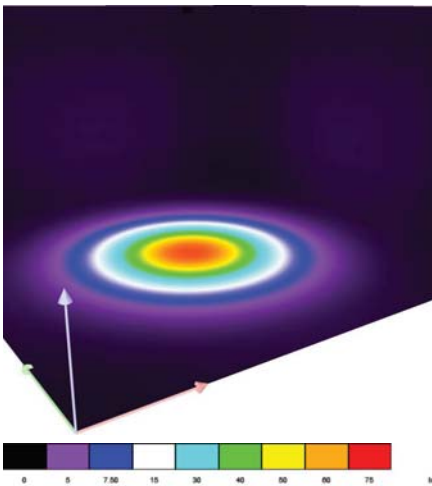
LDC Polar



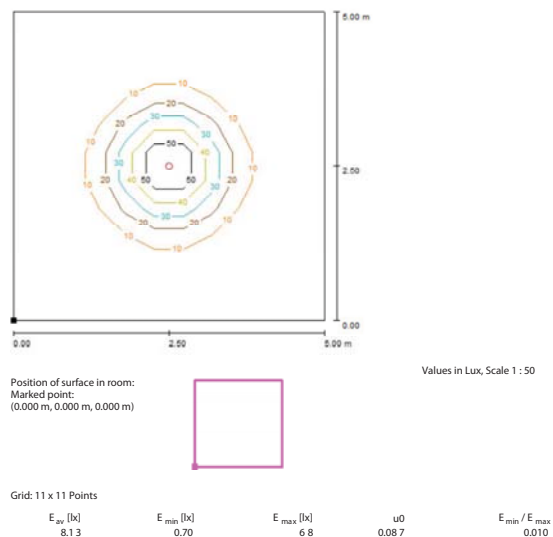
Cone Diagram



Colour Rendering



Floor Isolines (E)



Room Details

Height of working plane: 0.850 m  
 Boundary Zone: 0.000 m

Maintenance factor: 0.80

Height of Room: 2.800 m  
 Ground area: 25.00 m<sup>2</sup>



Total Luminous Flux: 351 lm  
 Total Load: 17.0 W  
 Maintenance factor: 0.80  
 Boundary Zone: 0.000 m

Surface	Rho [%]	from ( [m]   [m] )	towards ( [m]   [m] )	Length [m]
Floor	20	/	/	/
Ceiling	70	/	/	/
Wall 1	50	( 0.000   0.000 )	( 5.000   0.000 )	5.000
Wall 2	50	( 5.000   0.000 )	( 5.000   5.000 )	5.000
Wall 3	50	( 5.000   5.000 )	( 0.000   5.000 )	5.000
Wall 4	50	( 0.000   5.000 )	( 0.000   0.000 )	5.000

## PRODUCT SPECIFICATION CHART:

## ACCESSORIES:

1006 0669	A	15°
1006 5664	A	25°
1006 7670	A	33°
1006 6670	A	6°
1006 6665	B	15°
1006 6667	B	25°
1006 7668	B	33°
1006 6666	B	6°
1006 5667	CW	15°
1006 0664	CW	25°
1006 7662	CW	33°
1006 0670	CW	6°
1006 7665	CWRGB	33°
1006 6668	G	15°
1006 5665	G	25°
1006 7669	G	33°
1006 6669	G	6°
1006 8661	NW	6°
1006 6663	R	15°
1006 0668	R	25°
1006 7667	R	33°
1006 6664	R	6°
1006 0662	RGB	15°
1006 0661	RGB	25°
1006 2115	RGB	25° Recessed
<b>1006 7661</b>	<b>RGB</b>	<b>33°</b>
1006 0663	RGB	6°
1006 6661	RGBCW	15°
1006 5663	RGBCW	25°
1006 6662	RGBCW	6°
1006 5669	RGBWW	15°
1006 0666	RGBWW	25°
1006 5670	RGBWW	6°
1006 5662	SW	15°
1006 0667	SW	25°
1006 7666	SW	33°
1006 5661	SW	6°
1006 5668	WW	15°
1006 0665	WW	25°
1006 7663	WW	33°
1006 5666	WW	6°
1006 7664	WWRGB	33°

Other variants available on request