

User instructions

ArcLine Double Outdoor Optic 36/K2 & 48/K2 & 72/K2

The products generate colored light by means of red, green and blue LEDs. The products were designed for exterior use and they are ideal for locations where effect lighting with long lifetime is required.

1. Attention:

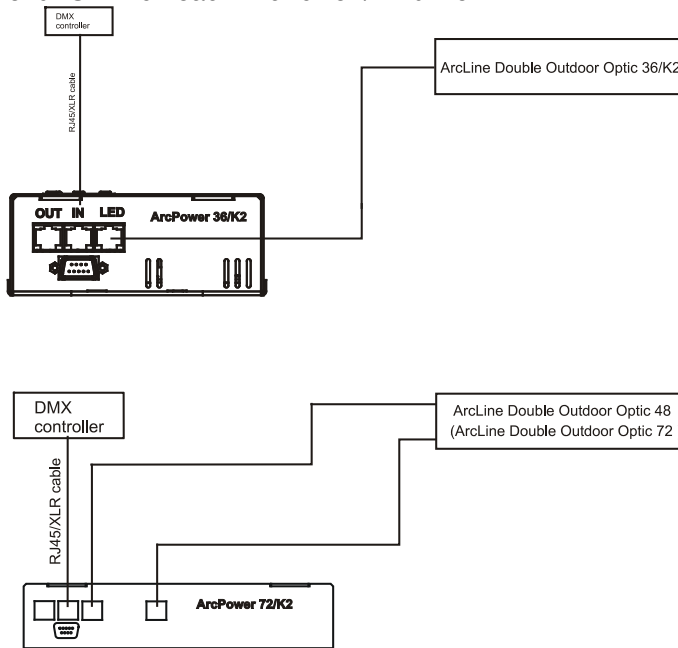
- During the operation the housing becomes hot (up to 85°C).
- Consider the respective national norms during the installation.
- Operate only in places where the sufficient airflow to cool the module is present.
- The maximum surface temperature of the housing must never be exceeded.
- Do not install the unit near naked flames.
- Avoid using the unit in locations subject to possible impacts.
- Do not attempt to dismantle or modify the unit.
- Avoid looking directly into the LED light beam at close range.
- Do not install the module in badly ventilated location.

2. Installation:

The ArcLine Double Outdoor unit should be connected to the ArcPower drivers according to the LEDs and colours variants.

See ArcPower 36/K2 or ArcPower 72/K2 (or their SmartWhite variants) user manuals for full details of mains power requirements and DMX operation.

Note: Set right current-carrying capacity of each LED branch (colour) in order to keep declared lifetime of LED modules - see menu "SPE" on each ArcPower /K2 driver.

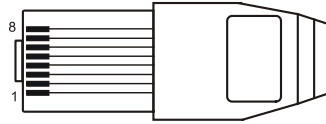


The ArcLine Double Outdoor unit can be arranged in any position orientation. Spotlight body is mounted on a steel "U" bracket for "tilt" adjustment, with fixings which can be locked in position to retain the focus of the unit beam.

Connect the end of the ArcLine Double Outdoor's cable directly to the driver or use suitable cable joint box (weather-tight for outdoor installation) if the cable has to be extended. The Belden cable that connects the ArcLine Double Outdoor unit to the driver ArcPower has the following wiring:

Pin	Colour of wire	RGB or RAB	Single colour	SW
1	white/orange	Red LED +	LED 1+	Warm White LED1 +
2	orange	Green (Amber) LED +	LED 2+	Cool White LED1 +
3	white/green	Blue LED +	LED 3+	Warm White LED2 +
4	blue	Not used	LED 4+	Cool White LED2 +
5	white blue	Red LED -	LED 1-	Warm White LED1 -
6	green	Green (Amber) LED -	LED 2-	Cool White LED1 -
7	white/brown	Blue LED -	LED 3-	Warm White LED2 -
8	brown	Not used	LED 4-	Cool White LED2 -

RJ45 plug
(View facing pins)



In contrast to the ArcLine Double Outdoor Optic 36/K2, the Arcline Double Outdoor Optic 48/K2 (72/K2) consists of two LEDs lines with separate power/data cables for connection to the ArcPower units. Only one LEDs line is possible to connect to the ArcPower 36/K2 (or to the one LED output of the ArcPower 72/K2). On this account the ArcLine Double Outdoor Optic 48/K2 (72/K2) needs two ArcPower 36/K2 drivers or one ArcPower 72/K2 for control.

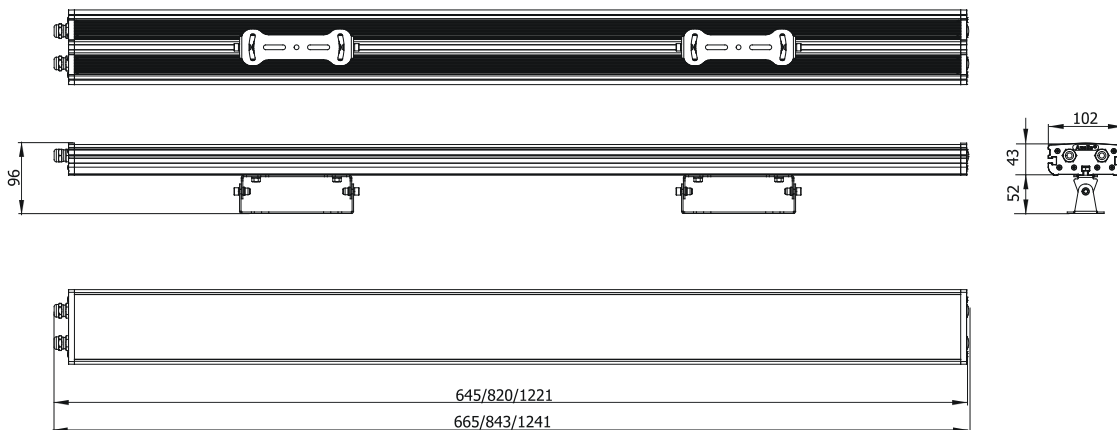
3. Technical specifications:

	ArcLine Double Outdoor Optic 36/K2	ArcLine Double Outdoor Optic 48/K2	ArcLine Double Outdoor Optic 72/K2
Total max. power consumption:	90 Watts	120 Watts(60 Watts per line)	180 Watts (90 Watts per line)
Compatible power supplies*:	ArcPower 36/K2, 72/K2	2xArcPower 36/K2, 1x ArcPower 72/K2	2xArcPower 36/K2, 1x ArcPower 72/K2
Number of LEDs:	2x18	2x24	2x36
LED device:	ProLight Opto 3Watt Proeon	ProLight Opto 3Watt Proeon	ProLight Opto 3Watt Proeon
Optical systems available:	6°, 15°, 38°, 25°, 25°x6°	6°, 15°, 25°, 38°, 25°x6°	6°, 15°, 25°, 38°, 25°x6°
LED colour variants:	RGB, R, G, B, A, WW, CW,	RGB, R, G, B, A, WW, CW, SW	RGB, R, G, B, A, WW, CW, SW
Construction: body	precision extruded aluminium	precision extruded aluminium	precision extruded aluminium
“U” holder	zincing steel	zincing steel	zincing steel
Transparent cover:	tempered glass	tempered glass	tempered glass
Weight:	4.6 kg	5.8 kg	8.5 kg
Cooling:	convection	convection	convection
Ingress protection:	IP 65	IP 65	IP 65
Flammability:	94HB flame class rating	94HB flame class rating	94HB flame class rating
Power /Data plug:	RJ45	RJ45	RJ45
Data connection	side or rear	side or rear	side or rear
Power /Data cable			
type:	Belden 7930A Cat. 5e;AWG 24	Belden 7930A Cat. 5e;AWG 24	Belden 7930A Cat. 5e;AWG 24
length:	1x 1.5 m	2x1.5m	2x1.5m
Ambient temp.range:	-20°C/+40°C	-20°C/+40°C	-20°C/+40°C
Led life expectancy** :	minimum 60,000 hrs	minimum 60,000 hours	minimum 60,000
Typical lumen maintenance:	70% @ 60,000 hours	70% @ 60,000 hours	70% @ 60,000 hours

* For single colour or SmartWhite modules are intended SmartWhite variants of the ArcPower/K2 supplies
 ** Constant operation at a current of 700mA (green, blue and white LEDs) and 420mA (red and amber LEDs)

4. Dimensions:

(all dimensions are in mm)



5. Accessories

Allen key..... 1 piece

6. Maintenance

Periodically clean the front transparent cover, particularly if the unit is exposed to the weather. Use a moist, lint-free cloth. Never use alcohol or solvents!

Specifications are subject to change without specification

Version: 1.8

November 24, 2011