

User instructions

ArcLine Outdoor Optic 12, ArcLine Outdoor Optic 18 ArcLine Outdoor Optic 24, ArcLine Outdoor Optic 36

The products generate colored light by means of red, green and blue LEDs. The products were designed for exterior use and they are ideal for locations where effect lighting with long lifetime is required.

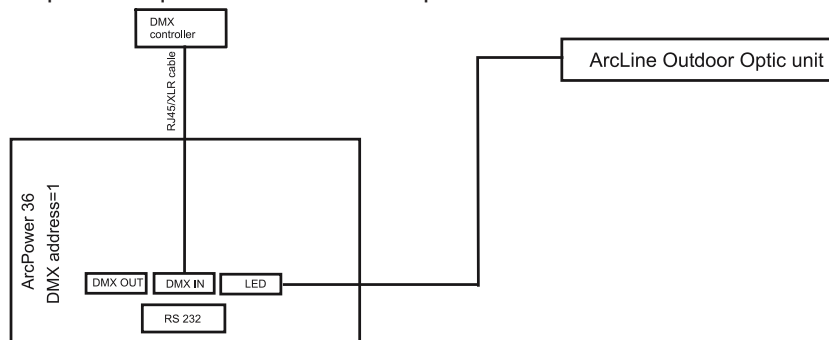
1. Attention:

Consider the respective national norms during the installation!

- Do not install the unit near naked flames.
- Avoid using the unit in locations subject to possible impacts.
- Do not attempt to dismantle or modify the unit.
- Avoid looking directly into the LED light beam at close range.
- Do not install the module in badly ventilated location

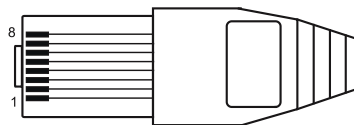
2. Installation:

The ArcLine Outdoor units should be connected to the ArcPower drivers according to the colour variants. See ArcPower 36, ArcPower 72, ArcPower 144 and ArcPower 360 user manuals (or their SmartWhite variants) for full details of mains power requirements and DMX operation.



The ArcLine Outdoor unit can be arranged in any position orientation. Spotlight body is mounted on a steel “U” brackets for “tilt” adjustment, with fixings which can be locked in position to retain the focus of the unit beam. Connect to the end of the ArcLine Outdoor’s cable directly to the driver or use suitable cable joint box (weather-tight for outdoor installation) if the cable has to be extended. The Belden cable that connects the ArcLine Outdoor unit to the ArcPower driver has the following wiring:

Connection of the RJ45 plug
(View facing pins)



Pin	Colour of wire	<u>RGB or RAB</u>	<u>Single colour</u>	<u>SW</u>
1	white/orange	Red LED +	LED 1+	Warm White LED1 +
2	orange	Green (Amber) LED +	LED 2+	Cool White LED1 +
3	white/green	Blue LED +	LED 3+	Warm White LED2 +
4	blue	Not used	Not used	Cool White LED2 +
5	white blue	Red LED -	LED 1-	Warm White LED1 -
6	green	Green (Amber) LED -	LED 2-	Cool White LED1 -
7	white/brown	Blue LED -	LED 3-	Warm White LED2 -
8	brown	Not used	Not used	Cool White LED2 -

It is possible to use a splitter for connecting two ArcLine Outdoor Optic modules but maximum number of connected modules to the ArcPower 36 (or to the one zone of the ArcPower 72/ArcPower 144/ArcPower 360) determines the table:

Module (colour variant)	Total LEDs	Red LEDs	Green LEDs	Blue LEDs	Amber LEDs	Cool white LEDs	Warm white LEDs	Max.number of connected modules	Example of compatible drivers
ArcLine Outdoor Optic 12 RGB	12	4	4	4	-	-	-	3	ArcPower 36/72, ArcPower 144/360
ArcLine Outdoor Optic 12 CW	12	-	-	-	-	12	-	3	ArcPower SmartWhite 36 ArcPower SmartWhite 144
ArcLine Outdoor Optic 12 WW	12	-	-	-	-	-	12	3	ArcPower SmartWhite 36 ArcPower SmartWhite 144
ArcLine Outdoor Optic 12 R	12	12	-	-	-	-	-	3	ArcPower SmartWhite 36 ArcPower SmartWhite 144
ArcLine Outdoor Optic 12 G	12	-	12	-	-	-	-	3	ArcPower SmartWhite 36 ArcPower SmartWhite 144
ArcLine Outdoor Optic 12A	12	-	-	-	12	-	-	3	ArcPower SmartWhite 36 ArcPower SmartWhite 144
ArcLine Outdoor Optic 12 B	12	-	-	12	-	-	-	3	ArcPower SmartWhite 36 ArcPower SmartWhite 144
ArcLine Outdoor Optic 12 SW	12	-	-	-	-	6	6	3	ArcPower SmartWhite 36 ArcPower SmartWhite 144
ArcLine Outdoor Optic 18 RGB	18	6	6	6	-	-	-	2	ArcPower 36/72 ArcPower 144/360
ArcLine Outdoor Optic 18 RAWW	18	6	-	-	6	-	6	2	ArcPower 36/72 ArcPower 144/360
ArcLine Outdoor Optic 18 CW	18	-	-	-	-	-	-	2	ArcPower SmartWhite 36 ArcPower SmartWhite 144
ArcLine Outdoor Optic 18 WW	18	-	-	-	-	-	18	2	ArcPower SmartWhite 36 ArcPower SmartWhite 144
ArcLine Outdoor Optic 18 R	18	18	-	-	-	-	-	2	ArcPower SmartWhite 36 ArcPower SmartWhite 144
ArcLine Outdoor Optic 18 G	18	-	18	-	-	-	-	2	ArcPower SmartWhite 36 ArcPower SmartWhite 144
ArcLine Outdoor Optic 18 A	18	-	-	-	18	-	-	2	ArcPower SmartWhite 36 ArcPower SmartWhite 144
ArcLine Outdoor Optic 18 B	18	-	-	18	-	-	-	2	ArcPower SmartWhite 36 ArcPower SmartWhite 144
ArcLine Outdoor Optic 24 RGB	24	8	8	8	-	-	-	1	ArcPower 36/72 ArcPower 144/360
ArcLine Outdoor Optic 24 CW	24	-	-	-	-	24	-	1	ArcPower SmartWhite 36 ArcPower SmartWhite 144
ArcLine Outdoor Optic 24 WW	24	-	-	-	-	-	24	1	ArcPower SmartWhite 36 ArcPower SmartWhite 144
ArcLine Outdoor Optic 24 R	24	24	-	-	-	-	-	1	ArcPower SmartWhite 36 ArcPower SmartWhite 144
ArcLine Outdoor Optic 24 B	24	-	-	24	-	-	-	1	ArcPower SmartWhite 36 ArcPower SmartWhite 144
ArcLine Outdoor Optic 24 SW	24	-	-	-	-	12	12	1	ArcPower SmartWhite 36 ArcPower SmartWhite 144
ArcLine Outdoor Optic 36 RGB	36	12	12	12	-	-	-	1	ArcPower 36/72 ArcPower 144/360
ArcLine Outdoor Optic 36 RAB	36	12	-	12	12	-	-	1	ArcPower 36/72 ArcPower 144/360
ArcLine Outdoor Optic 36 RAWW	36	12	-	-	12	-	12	1	ArcPower 36/72 ArcPower 144/360
ArcLine Outdoor Optic 36 CW	36	-	-	-	-	36	-	1	ArcPower SmartWhite 36 ArcPower SmartWhite 144
ArcLine Outdoor Optic 36 WW	36	-	-	-	-	-	36	1	ArcPower SmartWhite 36 ArcPower SmartWhite 144
ArcLine Outdoor Optic 36 R	36	36	-	-	-	-	-	1	ArcPower SmartWhite 36 ArcPower SmartWhite 144

Module (colour variant)	Total LEDs	Red LEDs	Green LEDs	Blue LEDs	Amber LEDs	Cool white LEDs	Warm white LEDs	Max.number of connected modules	Example of compatible drivers
ArcLine Outdoor Optic 36 G	36	-	36	-	-	-	-	1	ArcPower SmartWhite 36 ArcPower SmartWhite 144
ArcLine Outdoor Optic 36 A	36	-	-	-	36	-	-	1	ArcPower SmartWhite 36 ArcPower SmartWhite 144
ArcLine Outdoor Optic 36 B	36	-	-	36	-	-	-	1	ArcPower SmartWhite 36 ArcPower SmartWhite 144
ArcLine Outdoor Optic 36 SW	36	-	-	-	-	18	18	1	ArcPower SmartWhite 36 ArcPower SmartWhite 144

3. Technical specifications:

ArcLine Outdoor Optic	12	18	24	36
Max. Input Current per Colour	- -	350 mA	- -	- -
Total Max. Power Consumption:	13.6 Watts	20.4 Watts	27.2 Watts	40.8 Watts
Number of LEDs:	12	18	24	36
Compatible Power Supplies for RGB variants*:	- -	ArcPower 36, ArcPower 72, ArcPower 144, ArcPower 360	- -	- -
Operating Ambient Temp. Range:	- -	-20°C/+40°C	- -	- -
Cooling System:	- -	convection	- -	- -
Optical Systems Available:	- -	6°, 15°, 25°, 25°x6°	- -	- -
LED Device:	- -	1 Watt Luxeon	- -	- -
Typical Lumen Maintenance:	- -	70% @ 50,000 hours	- -	- -
Led Life Expectancy:	- -	minimum 50,000 hours	- -	- -
Construction: body	- -	precision extruded aluminium	- -	- -
"U" holder	- -	zincing steel	- -	- -
Transparent cover:	- -	tempered glass	- -	- -
Weight:	2.1 kg	3.1 kg	4.3 kg	6.4 kg
Ingress Protection:	- -	IP 65	- -	- -
Flammability:	- -	94HB ame class rating	- -	- -
Power /Data plug:	- -	RJ45	- -	- -
Power /Data cable type:	- -	Belden 7930A Cat. 5e; AWG 24	- -	- -
length:	- -	1.5m	- -	- -

LED Colour Variants** RGB,RAB,R,G,B,A,WW,CW,SW

RGB,RAB,R,G,B,A,WW,CW

RGB,RAB,R,G,B,A,WW,CW,SW

RGB,RAB,R,G,B,A,WW,CW,SW

* For single colour or SW modules are intended SmartWhite variants of the power supplies

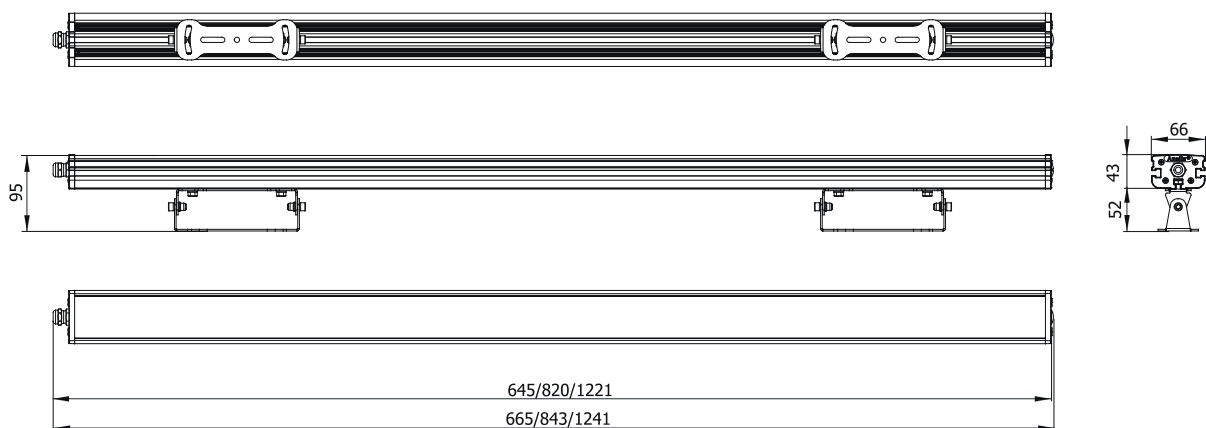
**RGB - red&green&blue;R- red;B-blue;G-green,A-Amber,CW-cool white;WW-warm white;SW-smart white;RAB-red&amber&blue

Note: -||- means the same data as at the ArcLine Outdoor Optic 18 column.

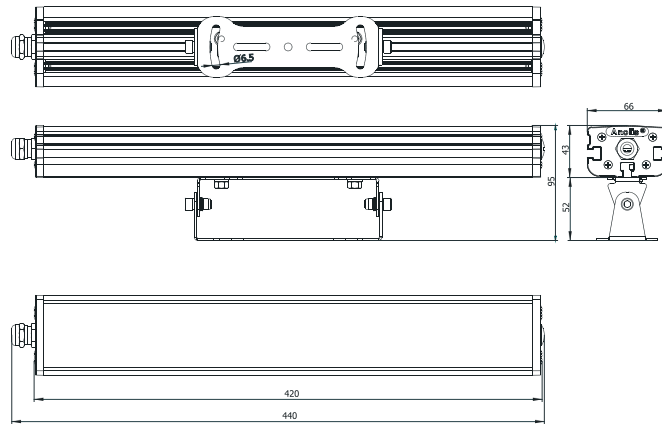
4. Dimensions:

(All dimensions are in mm)

ArcLine Outdoor Optic 18,24,36



ArcLine Outdoor Optic 12



5. Accessories

Allen key.....1 piece

Splitter(No. 13050690).....1 piece (only ArcLine Outdoor Optic 12/18)

6. Maintenance

Periodically clean the front transparent cover, particularly if the unit is exposed to the weather. Use a moist, lint-free cloth. Never use alcohol or solvents!