

User instructions

ArcPad 48

The product generates colored light by means of Luxeon LEDs. The product was designed for exterior use and it is ideal for locations where the effect lighting is required.

1. Attention:

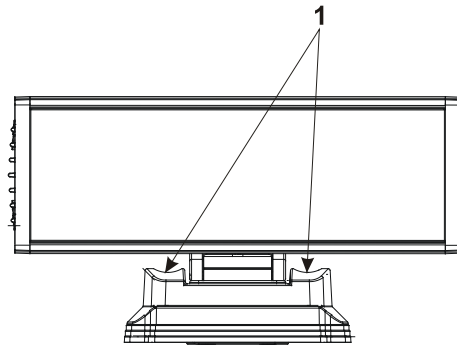
- During the operation the housing becomes hot (up to 85°C)
- Do not install the module near high inflammable liquids or materials
- Do not allow anything to rest on the module
- Do not install the module near the naked flames
- The unit is not suitable for underwater installation
- Do not install the module in dirty, dusty or badly ventilated location
- Avoid using the unit in locations subject to possible impacts.
- Avoid looking directly into the LED light beam at close range.

2. Installation

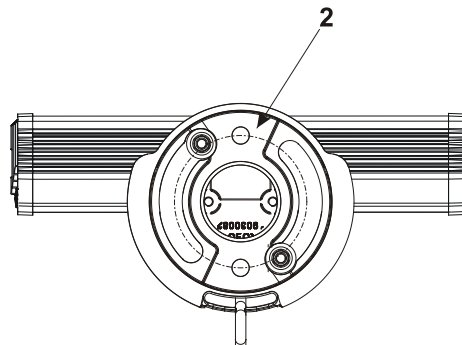
The ArcPad 48 unit can be arranged in any position orientation. The ArcPad's head is mounted on an adjustable bracket for "tilt" adjustment into many positions.

To fix the unit.

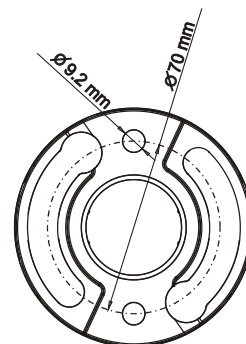
1. Loosen both pan screws (1) in the fixture base.



2. Turn the internal adjustable holder (2) to the position as shown on the picture and take it out from the base.



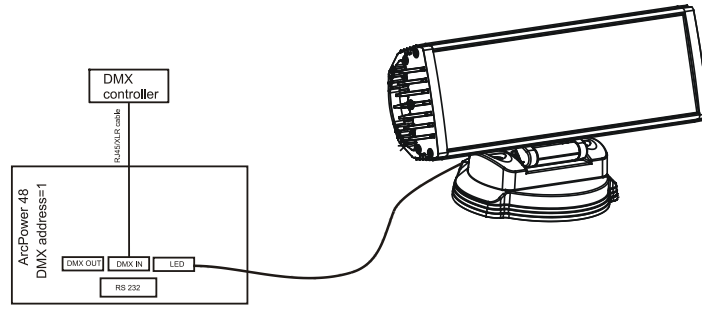
3. Fasten the internal holder on the non-flammable surface via 2 mounting holes of diameter of 9.2 mm.



4. Put the base of the fixture on the internal holder (2), adjust its desired pan position and tighten both pan screws (1). Adjust suitable tilt position.

The ArcPad 3*48 should be connected to the ArcPower 48 driver. See the ArcPower 48 (or its smart white

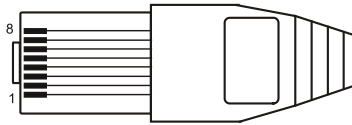
variant) user manual for full details of mains power requirements and DMX operation.



Connect the ArcPad 48 's cable directly to the ArcPower 48 or use suitable cable joint box (weather-tight for outdoor installation) if the cable has to be extended. The power/data cable that connect the ArcPad 48 to the ArcPower48 has the following wiring:

<u>Pin</u>	<u>Colour of wire</u>	<u>RGBW version</u>	<u>Single colour version</u>	<u>SW version</u>
1	white/orange	Red LED +	LED 1+	Warm White LED1 +
2	orange	Green LED +	LED 2+	Cool White LED1 +
3	white/green	Blue LED +	LED 3+	Warm White LED2 +
4	blue	White LED +	Not used	Cool White LED2 +
5	white blue	Red LED -	LED 1-	Warm White LED1 -
6	green	Green LED -	LED 2-	Cool White LED1 -
7	white/brown	Blue LED -	LED 3-	Warm White LED2 -
8	brown	White LED -	Not used	Cool White LED2 -

RJ45 plug
(View facing pins)



3. Technical specifications:

Maximum Power Consumption:	60 W
Comp. Power Supply for RGBW version:	ArcPower 48
Comp. Power Supply for single colour and SW version:	ArcPower 48 SmartWhite
Operating Ambient Temp. Range:	-20°C/+40°C
Cooling System:	convection
Led device:	Luxeon Rebel
Number of LEDs	48
Optical System:	25° lens-array
Typical Lumen Maintenance:	70% @ 60,000 hours
Led Life Expectancy:	minimum 60,000 hours
Operating Temperature:	+70°C @ ambient 25°C
Ingress Protection:	IP 67
Construction:	
Body:	cast aluminium
Base:	cast aluminium
Transparent cover:	tempered glass
"tilt" range:	+60°/-90°
"pan" range:	+45°/-45°
Power /Data Connection plug:	RJ45
Power /Data Connection cable:	Belden Cable 7930A Paired-Pata Tuff Cat. 5e, AWG 24
LED Colour Variants *:	RGBW, CW, WW, SW

4. Dimensions:

(All dimensions are in mm)

