

User instructions

ArcPar 12

The product generates colored light by means of Luxeon LEDs. The product was designed for interior use and they is ideal for locations where effect lighting is required.

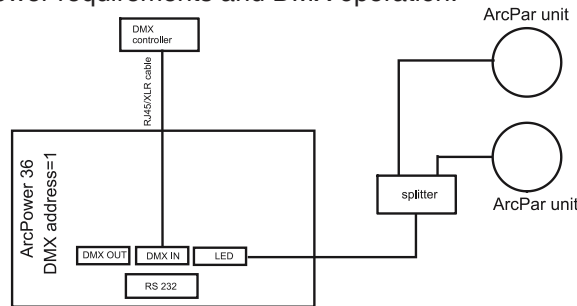
1.Attention:

- Do not install the module near high in ammable liquids or materials
- Do not allow anything to rest on the module
- Do not use the module near high humidity or water or expose to the rain
- Do not install the module near the naked flames
- Do not install the module in dirty,dusty or badly ventilated location

2.Installation

The ArcPar 12 should be connected to the ArcPower driver according to the LEDs colour variants (RGB,WW,CW...).

See ArcPower 36 ,ArcPower 144 (or ArcPower SmartWhite 36,ArcPower SmartWhite 144) user manuals for full details of mains power requirements and DMX operation.



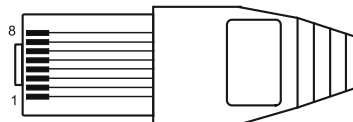
The ArcPar unit can be arranged in any position orientation. Spotlight body is mounted on a steel “U” bracket for “tilt” adjustment, with fixings which can be locked in position to retain the focus of the unit beam.

Connect the end of the ArcPar’s cable directly to the driver or use suitable cable joint box if the cable has to be extended. The power/data cable that connect the ArcPar unit to the ArcPower driver has the following wiring:

Colour variants

Pin	Colour of wire	<u>RGB</u>	<u>Single colour</u>	<u>WWRGB/CWRGB</u>
1	White/orange	Red LED +	Colour LED 1 +	Red LED +
2	Orange	Green LED +	Colour LED 2 +	Green LED +
3	White/green	Blue LED +	Colour LED 3 +	Blue LED +
4	Blue	Not used	Not used	White LED +
5	White/blue	Red LED -	Colour LED 1 -	Red LED -
6	Green	Green LED -	Colour LED 2 -	Green LED -
7	White/brown	Blue LED -	Colour LED 3 -	Blue LED -
8	Brown	Not used	Not used	White LED -

RJ45 plug
(View facing pins)



Maximum possible number of LED modules connected to the one ArcPower 36 (or one LED output of the ArcPower 144) is mentioned in the table below.

Module (colour variant)	Total LEDs	Red LEDs	Green LEDs	Blue LEDs	Amber LEDs	Cool white LEDs	Warm white LEDs	Max.number of connected modules	Compatible power supplies
ArcPar 12 RGB	12	4	4	4	-	-	-	3	ArcPower 36 ArcPower 144
ArcPar 12 RGBWW	12	2	2	2	-	-	6	2	ArcPower 36 ArcPower 144

Module (colour variant)	Total LEDs	Red LEDs	Green LEDs	Blue LEDs	Amber LEDs	Cool white LEDs	Warm white LEDs	Max.number of connected modules	Compatible power supplies
ArcPar 12 RGBCW	12	2	2	2	-	6	-	2	ArcPower 36 ArcPower 144
ArcPar 12 CW	12	-	-	-	-	12	-	3	ArcPower SmartWhite 36 ArcPower SmartWhite 144
ArcPar 12 WW	12	-	-	-	-	-	12	3	ArcPower SmartWhite 36 ArcPower SmartWhite 144
ArcPar 12 R	12	12	-	-	-	-	-	3	ArcPower SmartWhite 36 ArcPower SmartWhite 144
ArcPar 12 G	12	-	12	-	-	-	-	3	ArcPower SmartWhite 36 ArcPower SmartWhite 144
ArcPar 12 B	12	-	-	12	-	-	-	3	ArcPower SmartWhite 36 ArcPower SmartWhite 144
ArcPar 12 A	12	-	-	-	12	-	-	3	ArcPower SmartWhite 36 ArcPower SmartWhite 144

4. Technical specifications:

Parameter

Max input current:	350 mA
Maximum Power Consumption:	13.6 Watts
Comp. Power Supplies for RGB /RGBW variants:	ArcPower 36,ArcPower 144
Comp. Power Supplies for single colour variants:	ArcPowerSmartWhite 36,144
Operating Ambient Temp.Range:	-20°C/+30°C
Cooling System:	convection
Led device:	1W Luxeon
Number of LEDs	12
Optical Systems Available:	6°,15°,25°
Typical Lumen Maintenance:	70%@ 50,000 hours
Led Life Expectancy:	minimum 50,000 hours
LED colour variants *:	RGB,WWRGB,CWRGB,CW,WW,R,G,B,A
Colour temperature for WW/CW variants:	3300K/6500 K
Ingress Protection:	IP 2X
Construction:	
housing:	precision extruded aluminium
"U" bracket:	aluminium plate
transparent cover:	tempered glass
finish:	black,white,silver

Weight:	1.5 kg
Power /Data Connection plug:	RJ45
Power /Data Connection cable:	24 AWG x 4P,category 5e,1.5 m long

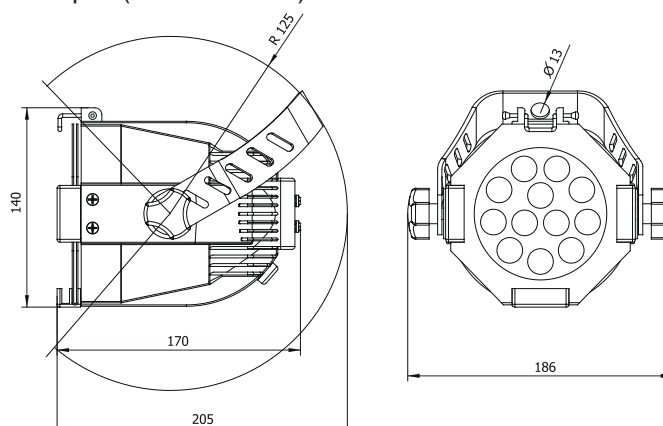
* RGB - red,green,blue;WWRGB - warm white,red,green,blue;CWRGB - cool white,red,green,blue;R- red;G-green;A-Amber;B-blue;CW-cool white;WW-warm white

5. Accessories

Splitter.....1 pcs (No. 13050690)

6. Dimensions:

(All dimensions are in mm)



Ver. 1.0

Specifications are subject to change without notice.