

# User instructions

## ArcSource Outdoor 12, ArcSource Outdoor 36

The products generate colored light by means of high power LEDs. The products were designed for exterior use and they are ideal for locations where signaling, directional or effect lighting is required.

### 1. Attention:

**Consider the respective national norms during the installation!**

The unit is suitable for underwater installation up to depth of 5 m

Do not install the unit near naked flames.

Avoid using the unit in locations subject to possible impacts.

Do not attempt to dismantle or modify the unit.

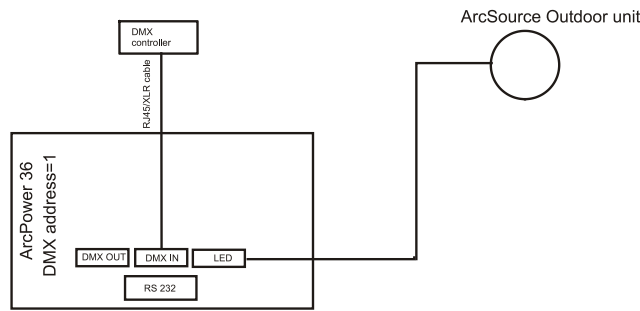
Do not install the module in badly ventilated location

Avoid looking directly into the LED light beam at close range.

### 2. Installation:

The ArcSource Outdoor unit should be connected to the ArcPower driver according to the unit light variant (RGB, WW, CW...).

See ArcPower 36/72/144/360( or ArcPower SmartWhite 36/72/144/360) user manual for full details of mains power requirements and DMX operation.

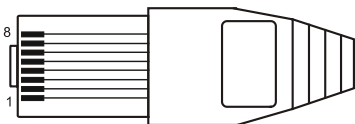


The ArcSource Outdoor unit can be arranged in any position orientation. Spotlight body is mounted on a steel “U” bracket for “tilt” adjustment, with fixings which can be locked in position to retain the focus of the unit beam. Connect the end of the ArcSource Outdoor’s cable directly to the driver or use suitable cable joint box (weather-tight for outdoor installation) if the cable has to be extended. The Belden cable that connect the ArcSource Outdoor unit to the ArcPower driver has the following wiring:

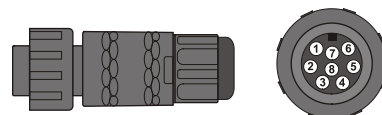
#### RJ45 connection

Pin	Colour of wire	<u>RGB</u>	<u>Single colour</u>	<u>SW</u>	<u>WWRGB/CWRGB</u>
1	White/orange	Red LED +	Colour LED 1 +	Warm White LED 1+	Red LED +
2	Orange	Green LED +	Colour LED 2 +	Cool White LED 1+	Green LED +
3	White/green	Blue LED +	Colour LED 3 +	Warm White LED 2+	Blue LED +
4	Blue	Not used	Colour LED 4 +	Cool White LED 2+	White LED +
5	White/blue	Red LED -	Colour LED 1 -	Warm White LED 1-	Red LED -
6	Green	Green LED -	Colour LED 2 -	Cool White LED 1-	Green LED -
7	White/brown	Blue LED -	Colour LED 3 -	Warm White LED 2-	Blue LED -
8	Brown	Not used	Colour LED 4 -	Cool White LED 2-	White LED -

RJ45 plug  
(View facing pins)



Chogori 08BMMA-SL8001



Rear view

#### Chogori 08BMMA-SL8001 connection

Pin	Colour of wire	<u>Used</u>
1	White/blue	Red LED -
2	White/orange	Red LED +
3	Brown	White LED -
4	White/brown	Blue LED -
5	White/green	Blue LED +
6	Green	Green LED -
7	Orange	Green LED +
8	Blue	White LED +

Maximum possible number of LED modules connected to the one ArcPower 36 (or one LED output of the ArcPower 144) is mentioned in the table below.

Module (colour variant)	Total LEDs	Red LEDs	Green LEDs	Blue LEDs	Amber LEDs	Cool white LEDs	Warm white LEDs	Max.number of connected modules	Compatible power supplies
ArcSource Outdoor 12 RGB	12	4	4	4	-	-	-	3	ArcPower 36/72/144/360
ArcSource Outdoor 12 WWRGB	12	2	2	2	-	-	6	2	ArcPower 36/72/144/360
ArcSource Outdoor 12 CWRGB	12	2	2	2	-	6	-	2	ArcPower 36/72/144/360
ArcSource Outdoor 12 CW	12	-	-	-	-	12	-	3	ArcPower SmartWhite 36/72/144/360
ArcSource Outdoor 12 WW	12	-	-	-	-	-	12	3	ArcPower SmartWhite 36/72/144/360
ArcSource Outdoor 12 R	12	12	-	-	-	-	-	3	ArcPower SmartWhite 36/72/144/360
ArcSource Outdoor 12 G	12	-	12	-	-	-	-	3	ArcPower SmartWhite 36/72/144/360
ArcSource Outdoor 12 B	12	-	-	12	-	-	-	3	ArcPower SmartWhite 36/72/144/360
ArcSource Outdoor 12 A	12	-	-	-	12	-	-	3	ArcPower SmartWhite 36/72/144/360
ArcSource Outdoor 12 SW	12	-	-	-	-	6	6	3	ArcPower SmartWhite 36/72/144/360
ArcSource Outdoor 36 RGB	36	12	12	12	-	-	-	1	ArcPower 36/72/144/360
ArcSource Outdoor 36 CW	36	-	-	-	-	36	-	1	ArcPower SmartWhite 36/72/144/360
ArcSource Outdoor 36 WW	36	-	-	-	-	-	36	1	ArcPower SmartWhite 36/72/144/360
ArcSource Outdoor 36 R	36	36	-	-	-	-	-	1	ArcPower SmartWhite 36/72/144/360
ArcSource Outdoor 36 G	36	-	36	-	-	-	-	1	ArcPower SmartWhite 36/72/144/360
ArcSource Outdoor 36 B	36	-	-	36	-	-	-	1	ArcPower SmartWhite 36/72/144/360
ArcSource Outdoor 36 A	36	-	-	-	36	-	-	1	ArcPower SmartWhite 36/72/144/360

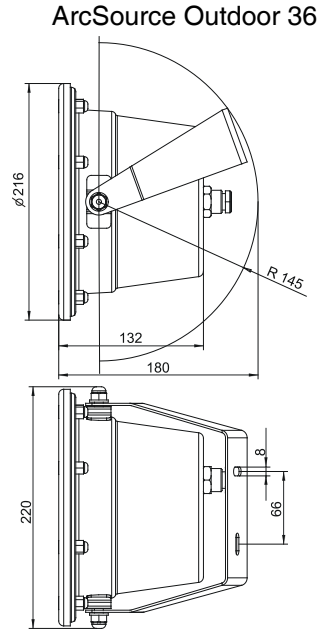
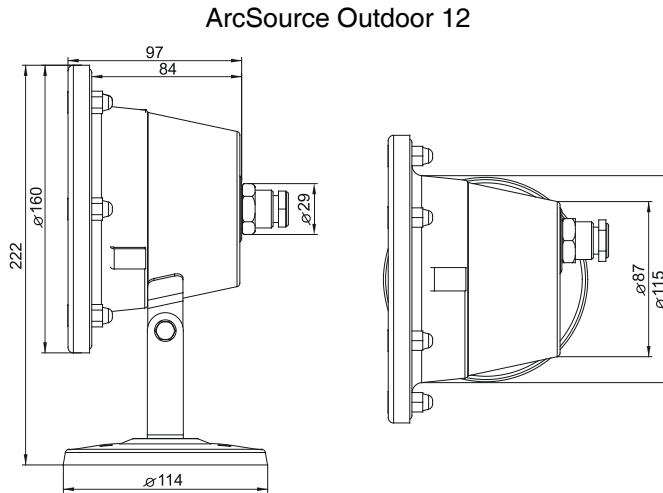
#### 4. Technical specifications:

Parameter	ArcSource Outdoor 12	ArcSource Outdoor 36
Max input current:	350 mA	350 mA
Maximum Power Consumption:	13.6 Watts	40.8 Watts
Comp. Power Supplies for RGB /RGBW variants:	ArcPower 36/72/144/360	ArcPower 36/72/144/360
Comp. Power Supplies for WW/CW and monotone variant:	ArcPowerSmartWhite 36/72/144/360	ArcPowerSmartWhite 36/72/144/360
Operating Ambient Temp.Range:	-20°C/+30°C	-20°C/+30°C
Operating Temperature:	+50°C@ambient 25°C	+55°C@ambient 25°C
Cooling System:	conduct. cooling system	conduct. cooling system
Led device:	ProLight Opto Proeon	ProLight Opto Proeon
Number of LEDs	12	36
Optical Systems Available:	6°, 15°, 25°, 38°	6°, 15°, 25°, 38°
Typical Lumen Maintenance:	70%@ 50,000 hours	70%@ 50,000 hours
Led Life Expectancy:	minimum 50,000 hours	minimum 50,000 hours
LED colour variants *:	RGB, WWRGB, CWRGB, CW, WW, SW, R, G, B, A	RGB, WWRGB, CW, WW, R, G, B, A,
Colour temperature for WW/CW variants	3200K/6500K	3200K/6500K
Ingress Protection:	IP 68	IP 68
Top flange shape	round	round
Construction:		
top flange	stainless steel	stainless steel
housing	stainless steel	stainless steel
"U" bracket & screws	stainless steel	stainless steel
Weight:	1.7 kg	3.3 kg
Power /Data Connection plug:	RJ45	RJ45 or CGRBDU-08BMMA-SL8001
Power /Data Connection cable:	Belden Cable 7934A2	Paired-Pata Tuff Category 5e, AWG 24, 1.5 m long (for both models)

\* RGB - red,green,blue;WWRGB - warm white,red,green,blue;CWRGB - cool white,red,green,blue,R- red;G-green;A-Amber;B-blue;CW-cool white;WW-warm white;SW-smartWhite

**5. Dimensions:**

(All dimensions are in mm)



**6. Accessories**

- Splitter (No. 13050690).....1 piece (only ArcSource Outdoor 12)
- Connector 08BFFA-SL8001.....1 piece ( only ArcSource Outdoor 36 with Chogori conector)