

User instructions

ArcSource Inground 3, ArcSource Inground 6

ArcSource Inground 7

The products generate light by means of high power LEDs. The products were designed for exterior use and they are ideal for locations where signaling, directional or effect lighting is required.

1. Attention:

Consider the respective national norms during the installation!

The unit is not suitable for underwater installation.

Do not install the unit near naked flames.

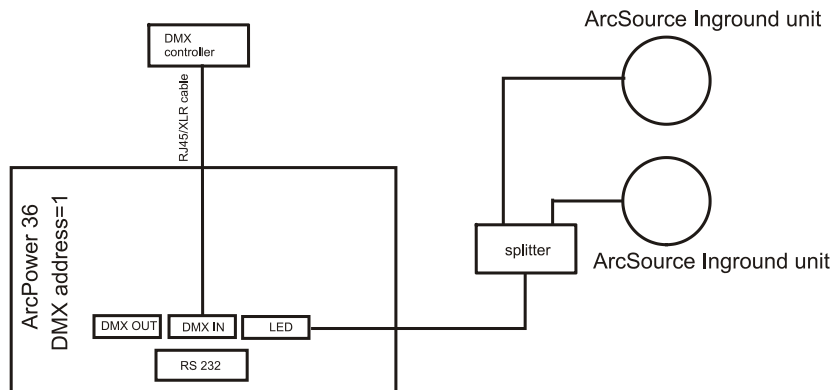
Avoid using the unit in locations subject to possible impacts.

Do not attempt to dismantle or modify the unit.

Avoid looking directly into the LED light beam at close range.

2. Installation:

The ArcSource Inground unit should be connected to the ArcPower driver according to the light variant (RGB, WW, CW...). See ArcPower 36, ArcPower 144 (or ArcPower SmartWhite 36, ArcPower SmartWhite 144) user manual for full details of mains power requirements and DMX operation.



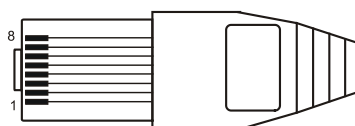
The ArcSource Inground 3 case is fastened to the plastic sleeve by 3 screws and the ArcSource Inground 6/7 case has a rubber ring which locates the LED module in a plastic sleeve used to prepare positions in concrete, paving or wall.

Connect the end of the ArcSource Inground's cable directly to the driver or use suitable cable joint box (weather-tight for outdoor installation) if the cable has to be extended. The 4-pair unshielded cable cat.5e and RJ45 plug that connects the ArcSource Inground unit to the ArcPower driver has the following wiring:

LED colour variants

Pin	Colour of wire	<u>RGB</u>	<u>Single colour</u>	<u>WWRGB/CWRGB</u>
1	White/orange	Red LED +	Colour LED 1+	Red LED +
2	Orange	Green LED +	Colour LED 2+	Green LED +
3	White/green	Blue LED +	Colour LED 3+	Blue LED +
4	Blue	Not used	Not used	White LED +
5	White/blue	Red LED -	Colour LED 1 -	Red LED -
6	Green	Green LED -	Colour LED 2 -	Green LED -
7	White/brown	Blue LED -	Colour LED 3 -	Blue LED -
8	Brown	Not used	Not used	White LED -

RJ45 plug
(View facing pins)



Maximum possible number of LED modules connected to the one ArcPower 36 (or one LED output of the ArcPower 144) is mentioned in the table below.

Module (colour variant)	Total LEDs	Red LEDs	Green LEDs	Blue LEDs	Amber LEDs	Cool white LEDs	Warm white LEDs	Max.number of connected modules	Example of compatible power supplies
ArcSource Inground 3 RGB	3	1	1	1	-	-	-	12	ArcPower 36 ArcPower 144
ArcSource Inground 3 CW	3	-	-	-	-	3	-	12	ArcPower SmartWhite 36 ArcPower SmartWhite 144
ArcSource Inground 3 WW	3	-	-	-	-	-	3	12	ArcPower SmartWhite 36 ArcPower SmartWhite 144
ArcSource Inground 3 R	3	3	-	-	-	-	-	12	ArcPower SmartWhite 36 ArcPower SmartWhite 144
ArcSource Inground 3 G	3	-	3	-	-	-	-	12	ArcPower SmartWhite 36 ArcPower SmartWhite 144
ArcSource Inground 3 B	3	-	-	3	-	-	-	12	ArcPower SmartWhite 36 ArcPower SmartWhite 144
ArcSource Inground 3 A	3	-	-	-	3	-	-	12	ArcPower SmartWhite 36 ArcPower SmartWhite 144
ArcSource Inground 6 RGB	6	2	2	2	-	-	-	6	ArcPower 36 ArcPower 144
ArcSource Inground 6 WWRGB	6	1	1	1	-	-	3	4	ArcPower 36 ArcPower 144
ArcSource Inground 6 CWRGB	6	1	1	1	-	3	-	4	ArcPower 36 ArcPower 144
ArcSource Inground 6 CW	6	-	-	-	-	6	-	6	ArcPower SmartWhite 36 ArcPower SmartWhite 144
ArcSource Inground 6 WWA	6	-	-	-	2	-	4	6	ArcPower 36 ArcPower 144
ArcSource Inground 6 WW	6	-	-	-	-	-	6	6	ArcPower SmartWhite 36 ArcPower SmartWhite 144
ArcSource Inground 6 R	6	6	-	-	-	-	-	6	ArcPower SmartWhite 36 ArcPower SmartWhite 144
ArcSource Inground 6 G	6	-	6	-	-	-	-	6	ArcPower SmartWhite 36 ArcPower SmartWhite 144
ArcSource Inground 6 B	6	-	-	6	-	-	-	6	ArcPower SmartWhite 36 ArcPower SmartWhite 144
ArcSource Inground 6 A	6	-	-	-	6	-	-	-	ArcPower SmartWhite 36 ArcPower SmartWhite 144
ArcSource Inground 7 RGBCW	7	2	2	2	-	1	-	6	ArcPower 36 ArcPower 144
ArcSource Inground 7 RGBWW	7	2	2	2	-	1	-	6	ArcPower 36 ArcPower 144
ArcSource Inground 7 CW	7	-	-	-	-	7	-	6	ArcPower SmartWhite 36 ArcPower SmartWhite 144
ArcSource Inground 7 WW	7	-	-	-	-	-	7	6	ArcPower SmartWhite 36 ArcPower SmartWhite 144
ArcSource Inground 7 R	7	7	-	-	-	-	-	6	ArcPower SmartWhite 36 ArcPower SmartWhite 144
ArcSource Inground 7 G	7	-	7	-	-	-	-	6	ArcPower SmartWhite 36 ArcPower SmartWhite 144
ArcSource Inground 7 B	7	-	-	7	-	-	-	6	ArcPower SmartWhite 36 ArcPower SmartWhite 144
ArcSource Inground 7 A	7	-	-	-	7	-	-	6	ArcPower SmartWhite 36 ArcPower SmartWhite 144

4. Technical specifications:

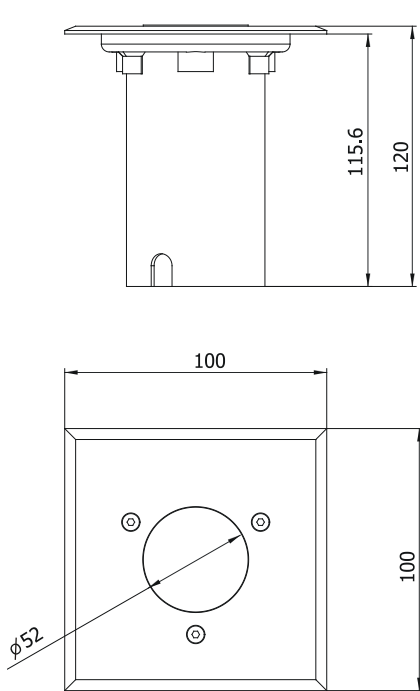
Parameter	ArcSource Inground 3	ArcSource Inground 6	ArcSource Inground 7
Max input current:	350 mA	350 mA	350 mA
Maximum power consumption:	4.2 Watts	8.4 Watts	9.6 Watts
Comp. power supplies for RGB/RGBW variants:	ArcPower 36/72/144/360	ArcPower 36/72/144/360	ArcPower 36/72/144/360
Comp. power supplies for single colour variants:	ArcPower SmartWhite 36/72/144/360	ArcPower SmartWhite 36/72/144/360	ArcPower SmartWhite 36/72/144/360
Operating ambient temp.range:	-20°C/+30°C	-20°C/+30°C	-20°C/+30°C
Cooling system:	convection	convection	convection
Led device:	ProLight Opto Proeon	ProLight Opto Proeon	ProLight Opto Proeon
Number of LEDs:	3	6	7
Optical systems available:	6°,15°,25°	6°,25°	6°,25°
Typical lumen maintenance:	70%@ 50,000 hours	70%@ 50,000 hours	70%@ 50,000 hours
Led life expectancy:	minimum 50,000 hours	minimum 50,000 hours	minimum 50,000 hours
LED colour variants*:	RGB,CW,WW,R,G,B,A	RGB,WWA,WWRGB,CWRGB,WW,CWR,R,G,B,A	RGB,WWRGB,CWRGB,WW,CWR,R,G,B,A
Colour temperature for WW/CW variants	3300K/6500 K	3300K/6500 K	3300K/6500 K
Ingress protection:	IP 67	IP 67	IP 67
Top flange shape	round or square	round	round
Construction:			
top flange	stainless steel	stainless steel	stainless steel
housing	hardened aluminium	hardened aluminium	hardened aluminium
mounting sleeve	plastic	plastic	plastic
transparent cover	tempered glass	tempered glass	tempered glass
Weight:	0.5 kg	1.2 kg	1.2 kg
Power /Data connection connector:	RJ45	RJ45	RJ45
Power /Data connection cable :	Belden 7934A 4-pair,24 AWG,unshielded,enhanced category 5e , 1.5 m long (for all models)		

* RGB - red&green&blue;R- red;G-green,B-blue;A-amber;CW-cool white;WW-warm white;WWRGB-warm white&red&green&blue;CWRGB-cool white&red&green&blue

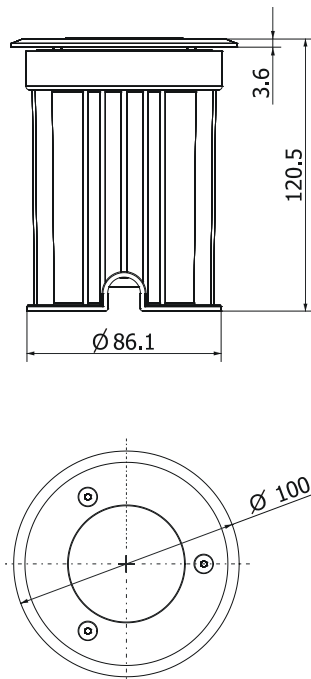
5. Dimensions:

(All dimensions are in mm)

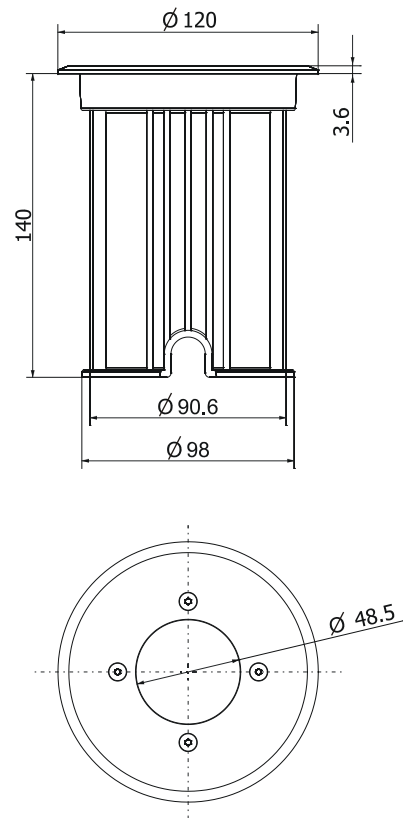
ArcSource Inground 3 square



ArcSource Inground 3 round



ArcSource Inground 6/7



6. Accessories

Splitter(No. 13050690).....1 piece

Version 1.7

Specifications are subject to change without notice.