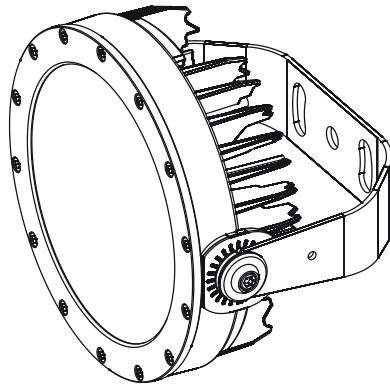


User instructions

ArcSource Outdoor 12 Spot/Medium/Flood

The product generates colored light by means of high power LEDs. The product was designed for exterior use and it is ideal for locations where signaling, directional or effect lighting is required.



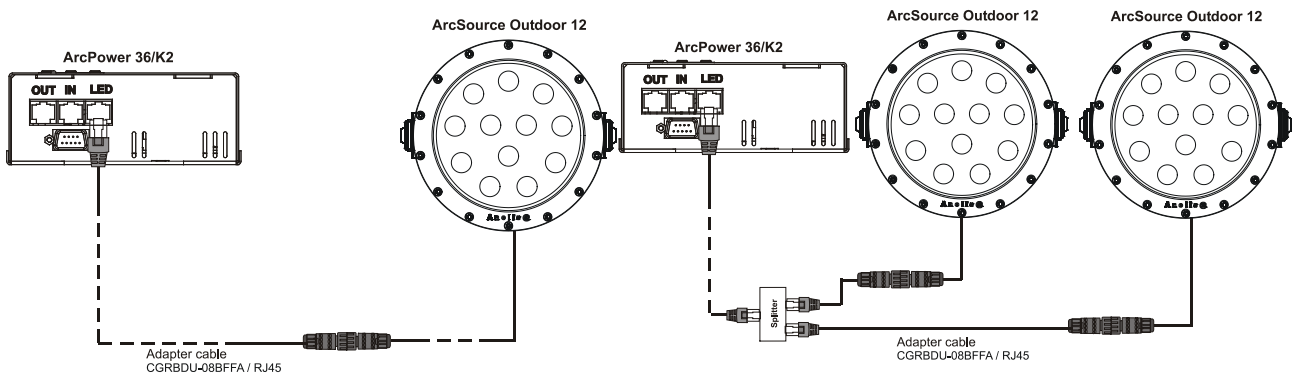
1. Attention:

Consider the respective national norms during the installation!

- Do not install the unit near naked flames.
- Avoid using the unit in locations subject to possible impacts.
- Do not attempt to dismantle or modify the unit.
- Do not install the module in badly ventilated location
- Avoid looking directly into the LED light beam at close range.

2. Installation:

The ArcSource Outdoor unit can be connected to the ArcPower 36/K2 (72/K2) or the ArcPower 384 Rack mount (set at 700mA). See their user manuals for full details of mains power requirements and DMX operation.

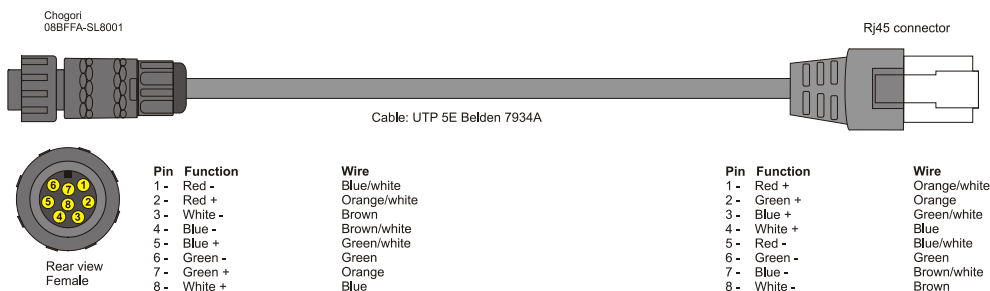


Note: the adapter cable CGRBDU-08BFFA/RJ45 is not standard part of delivery, only for request. For splitter use suitable cable joint box (weather-tight for outdoor installation).

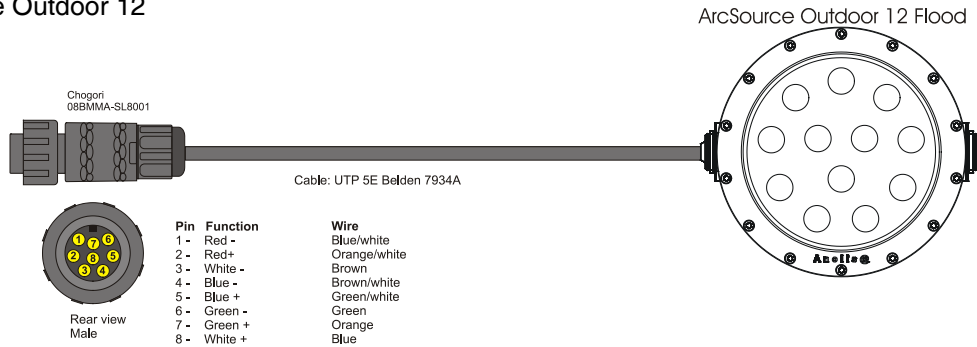
Max. number of connected ArcSource Outdoor unit to the ArcPower 36/K2, (or one LED output of the ArcPower 72/K2, ArcPower 384) is 3:

Connections:

1. Adapter cable CGRBDU-08BFFA / RJ45



2. ArcSource Outdoor 12

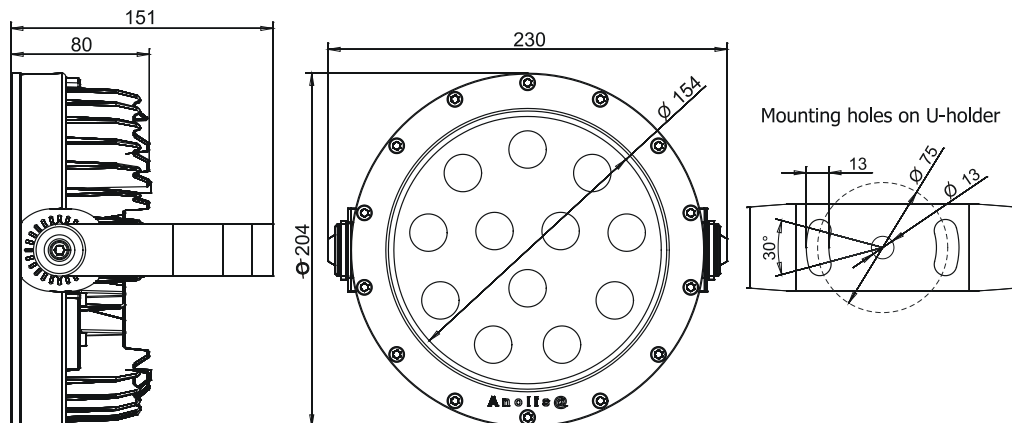


For fastening the unit on the wall (truss etc) serves U-bracket with 3 holes of diameter of 13 mm each. The ArcSource Outdoor unit can be arranged in any position orientation. LED module body is mounted on a steel "U" bracket for "tilt" adjustment, after adjusting desired inclination, secure the LED module body by means of the Allen key 4. .

4. Technical specifications

Max input current (per colour channel):	700 mA
Maximum power consumption:	35 Watts
Comp. power supplies for both units :	ArcPower 36/K2, ArcPower 72/K2, ArcPower 384 Rack M.
Max. surface temperature:	65°C
Operating ambient temp.range:	-20°C/+40°C
Cooling system:	convection
LED device:	Cree XP-E
Number of LEDs:	12
Beam angle:	Spot, Medium, Flood
Typical Lumen maintenance:	70% @ 60,000 hours
LED life expectancy:	minimum 60,000 hours
Ingress Protection:	IP 66
Construction:	
Body+ "U" bracket	aluminium
transparent cover	tempered glass
Weight:	2.7 kg
LED connection plug:	Chogori 08BMMA-SL8001
LED connection cable:	Belden Cable 7934A Paired-Pata Tuff Category 5e, AWG 24

Dimensions (mm)



5. Accessories

- adapter cable CGRBDU-08BFFA/RJ4 RJ45, L=3m (No. 13051630)
- 1x Splitter (No. 13050690)

6. Optional Accessories

- Adapter cable CGRBDU-08BFFA/RJ4 RJ45, L=7m (No. 13051631)
- Adapter cable CGRBDU-08BFFA/RJ4 RJ45, L=15m (No. 13051682)

Version 1.5

Specifications are subject to change without notice