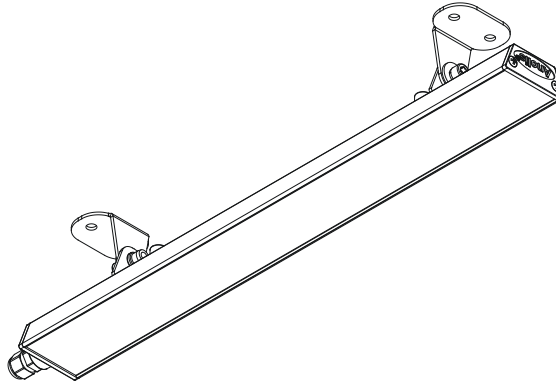


User instructions

ArcLine Optic 12, ArcLine Optic 18, ArcLine Optic 24, ArcLine Optic 36

The modules generate colored light by means of high power LEDs. The products were designed to use with the ArcPower drivers and for indoor use only.



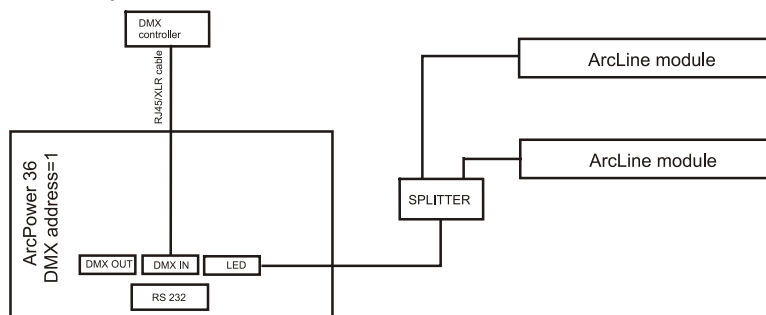
1. Attention

- Do not install the module near high inflammable liquids or materials
- Do not allow anything to rest on the module
- Do not use the module near high humidity or water or expose to the rain
- Do not install the module near the naked flames
- Do not install the module in dirty, dusty or badly ventilated location

2. Installation

The ArcLine Optic unit should be connected to the ArcPower driver according to the LEDs colour variants (RGB, WW, CW...).

See ArcPower 36/72/144/360 (or ArcPower SmartWhite 36/72/144/360) user manuals for full details of mains power requirements and DMX operation.



ArcLine Optic units are supplied with 1.5 m of cable for direct connection to the ArcPower drivers.

CAUTION!
 Avoid looking directly into the LED light beam at close range!

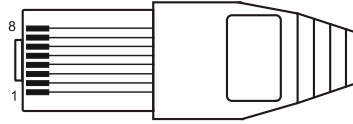
Maximum possible number of LED modules connected to the one ArcPower 36 (or one LED output of the ArcPower 144) is mentioned in the table below.

Module (colour variant)	Total LEDs	Red LEDs	Green LEDs	Blue LEDs	Amber LEDs	Cool white LEDs	Warm white LEDs	Max. number of connected modules	Compatible power supplies
ArcLine Optic 12 RGB	12	4	4	4	-	-	-	3	ArcPower 36/72/144/360
ArcLine Optic 12 CW	12	-	-	-	-	12	-	3	ArcPowerSmartWhite 36/72/144/360
ArcLine Optic 12 WW	12	-	-	-	-	-	12	3	ArcPowerSmartWhite 36/72/144/360

Module (colour variant)	Total LEDs	Red LEDs	Green LEDs	Blue LEDs	Amber LEDs	Cool white LEDs	Warm white LEDs	Max.number of connected modules	Compatible power supplies
ArcLine Optic 12 R	12	12	-	-	-	-	-	3	ArcPowerSmartWhite 36/72/144/360
ArcLine Optic 12 G	12	-	12	-	-	-	-	3	ArcPowerSmartWhite 36/72/144/360
ArcLine Optic 12A	12	-	-	-	12	-	-	3	ArcPowerSmartWhite 36/72/144/360
ArcLine Optic 12 B	12	-	-	12	-	-	-	3	ArcPowerSmartWhite 36/72/144/360
ArcLine Optic 12 SW	12	-	-	-	-	6	6	3	ArcPowerSmartWhite 36/72/144/360
ArcLine Optic 18 RGB	18	6	6	6	-	-	-	2	ArcPower 36/72/144/360
ArcLine Optic 18 CW	18	-	-	-	-	-	-	2	ArcPowerSmartWhite 36/72/144/360
ArcLine Optic 18 WW	18	-	-	-	-	-	18	2	ArcPowerSmartWhite 36/72/144/360
ArcLine Optic 18 R	18	18	-	-	-	-	-	2	ArcPowerSmartWhite 36/72/144/360
ArcLine Optic 18 G	18	-	18	-	-	-	-	2	ArcPowerSmartWhite 36/72/144/360
ArcLine Optic 18 A	18	-	-	-	18	-	-	2	ArcPowerSmartWhite 36/72/144/360
ArcLine Optic 18 B	18	-	-	18	-	-	-	2	ArcPowerSmartWhite 36/72/144/360
ArcLine Optic 24 RGB	24	8	8	8	-	-	-	1	ArcPower 36/72/144/360
ArcLine Optic 24 CW	24	-	-	-	-	24	-	1	ArcPowerSmartWhite 36/72/144/360
ArcLine Optic 24 WW	24	-	-	-	-	-	24	1	ArcPowerSmartWhite 36/72/144/360
ArcLine Optic 24 R	24	24	-	-	-	-	-	1	ArcPowerSmartWhite 36/72/144/360
ArcLine Optic 24 B	24	-	-	24	-	-	-	1	ArcPowerSmartWhite 36/72/144/360
ArcLine Optic 24 SW	24	-	-	-	-	12	12	1	ArcPowerSmartWhite 36/72/144/360
ArcLine Optic 36 RGB	36	12	12	12	-	-	-	1	ArcPower 36/72/144/360
ArcLine Optic 36 RAB	36	12	-	12	12	-	-	1	ArcPower 36/72/144/360
ArcLine Optic 36 CW	36	-	-	-	-	36	-	1	ArcPowerSmartWhite 36/72/144/360
ArcLine Optic 36 WW	36	-	-	-	-	-	36	1	ArcPowerSmartWhite 36/72/144/360
ArcLine Optic 36 R	36	36	-	-	-	-	-	1	ArcPowerSmartWhite 36/72/144/360
ArcLine Optic 36 G	36	-	36	-	-	-	-	1	ArcPowerSmartWhite 36/72/144/360
ArcLine Optic 36 A	36	-	-	-	36	-	-	1	ArcPowerSmartWhite 36/72/144/360
ArcLine Optic 36 B	36	-	-	36	-	-	-	1	ArcPowerSmartWhite 36/72/144/360
ArcLine Optic 36 SW	36	-	-	-	-	18	18	1	ArcPowerSmartWhite 36/72/144/360

3.RJ45 pin connection

RJ45 plug
(View facing pins)



Colour variants

Pin	Colour of wire	RGB or RAB	Single colour	SW
1	white/orange	Red LED +	LED 1+	Warm White LED1 +
2	orange	Green (Amber) LED +	LED 2+	Cool White LED1 +
3	white/green	Blue LED +	LED 3+	Warm White LED2 +
4	blue	Not used	LED 4+	Cool White LED2 +
5	white blue	Red LED -	LED 1-	Warm White LED1 -
6	green	Green (Amber) LED -	LED 2-	Cool White LED1 -
7	white/brown	Blue LED -	LED 3-	Warm White LED2 -
8	brown	Not used	LED 4-	Cool White LED2 -

4. Technical specifications:

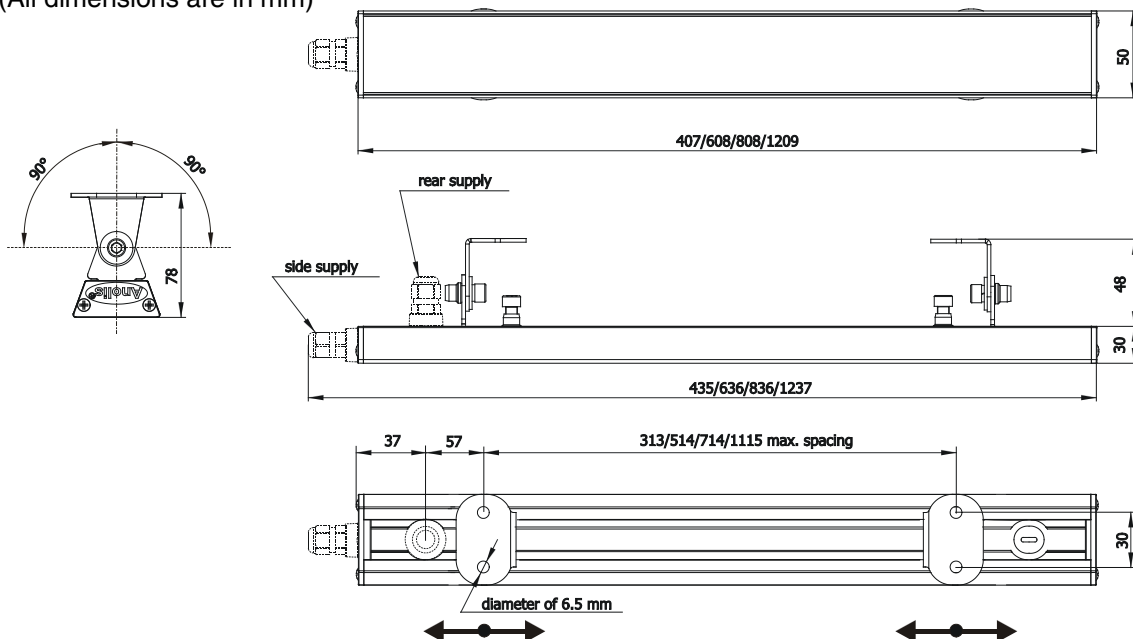
ArcLine Optic	12	18	24	36
Max input current:	350 mA	350 mA	350 mA	350 mA
Maximum Power Consumption:	13.6 watts	20.4 watts	27.2 watts	40.8 watts
Compatible Power Supplies for RGB,RAB variants:	ArcPower 36/72/144/360	ArcPower 36/72/144/360	ArcPower 36/72/144/360	ArcPower 36/72/144/360
Compatible Power Supplies for SW, and single colour variants:	AP SmartWhite 36/72/144/360	AP SmartWhite 36/72/144/360	AP SmartWhite 36/72/144/360	AP SmartWhite 36/72/144/360
Operating Ambient Temp. Range:	-20°C/+40°C	-20°C/+40°C	-20°C/+40°C	-20°C/+40°C
Operating Temperature:	+50°C@ambient 25°C	+50°C@ambient 25°C	+50°C@ambient 25°C	+50°C@ambient 25°C
Cooling :	convection	convection	convection	convection
Optical Systems Available:	6°,15°,25°,38°,25°x6°	6°,15°,25°,38°,25°x6°	6°,15°,25°,38°,25°x6°	6°,15°,25°,38°,25°x6°
LED Device:	ProLight Opto Proeon	ProLight Opto Proeon	ProLight Opto Proeon	ProLight Opto Proeon
LED Colour Variants *:	RGB,R,G,B,A,CW,WW,SW,	RGB,R,G,B,A,CW,WW	RGB,R,G,B,A,CW,WW,SW	RGB,RAB,R,G,B,A,CW,WW,SW
Warm White LEDs (WW):	3300 K	3300 K	3300 K	3300 K
Cool White LEDs (CW):	6500 K	6500 K	6500 K	6500 K
Typical Lumen Maintenance:	70%@ 50,000 hours	70%@ 50,000 hours	70%@ 50,000 hours	70%@ 50,000 hours
Led Life Expectancy:	minimum 50,000 hours	minimum 50,000 hours	minimum 50,000 hours	minimum 50,000 hours
Construction:	precision extruded aluminium	precision extruded aluminium	precision extruded aluminium	precision extruded aluminium
Weight:	0.75kg	1.05 kg	1.3 kg	1.9 kg
Installation method:	Integral univ. mount. system	Integral univ. mount. system	Inte. universal mounting system	Inte. universal mounting system
Ingress Protection:	IP 2X	IP 2X	IP 2X	IP 2X
Flammability:	94HB flame class rating	94HB flame class rating	94HB flame class rating	94HB flame class rating
Power /Data plug:	RJ45	RJ45 RJ45	RJ45	RJ45
Power /Data cable	24 AWG x 4P,category 5e	24 AWG x 4P,category 5e	24 AWG x 4P,category 5e	24 AWG x 4P,category 5e

* RGB - red&green&blue;R- red;B-blue;G-green,A-Amber,CW-cool white;WW-warm white;SW-smart white;RAB-red&amber&blue

All above-mentioned models are available with the side power supply connection or rear power supply connection.

5. Dimensions:

(All dimensions are in mm)



6. Accessories

- Allen key.....1 piece
- Splitter (No. 13050690).....1 piece (except ArcLine Optic 36)

7. Maintenance

- Keep the module dry.
- Operate only in places where the sufficient airflow to cool the module is present
- Periodically clean the front transparent cover. Use a moist, lint-free cloth. Never use alcohol or solvents!